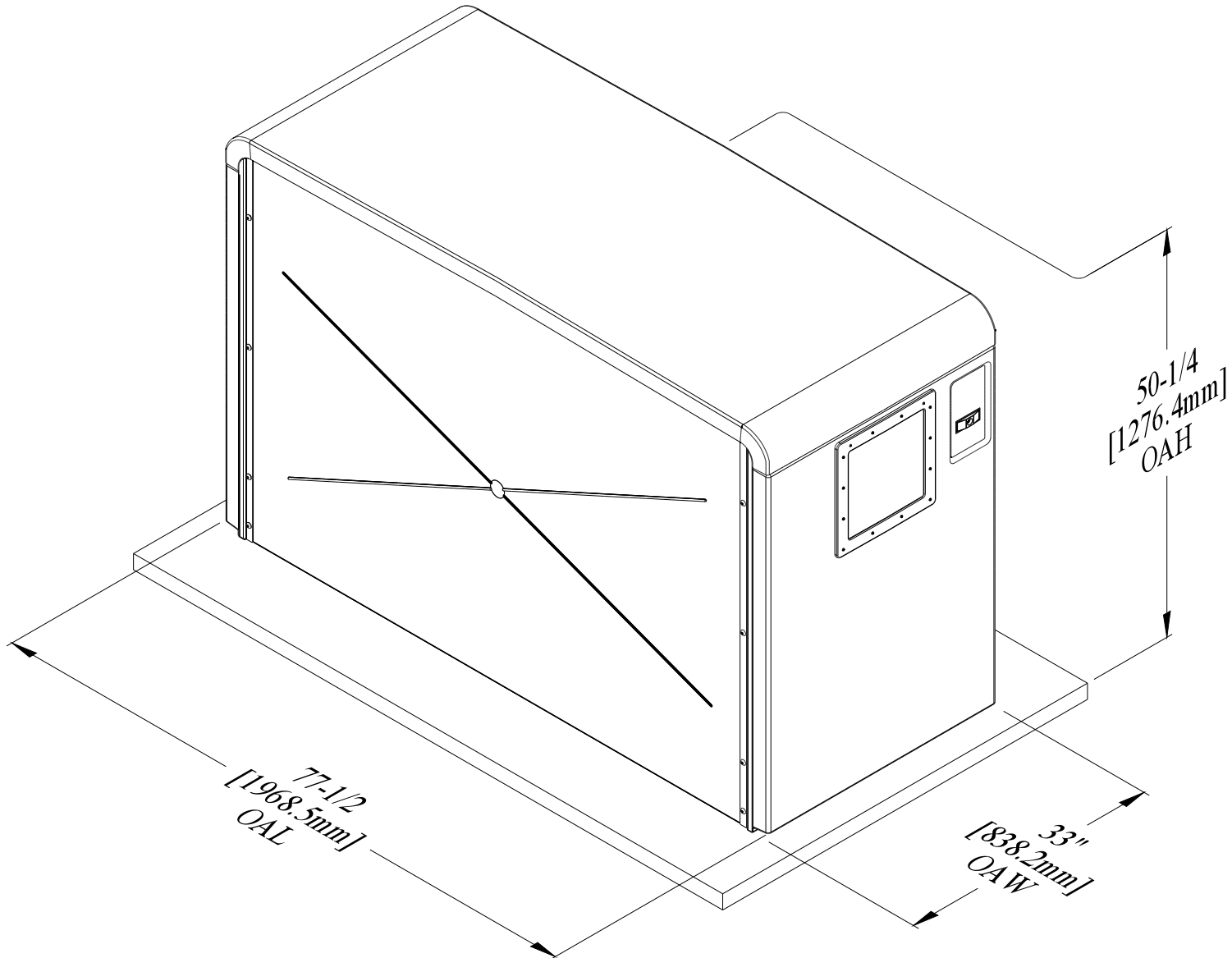
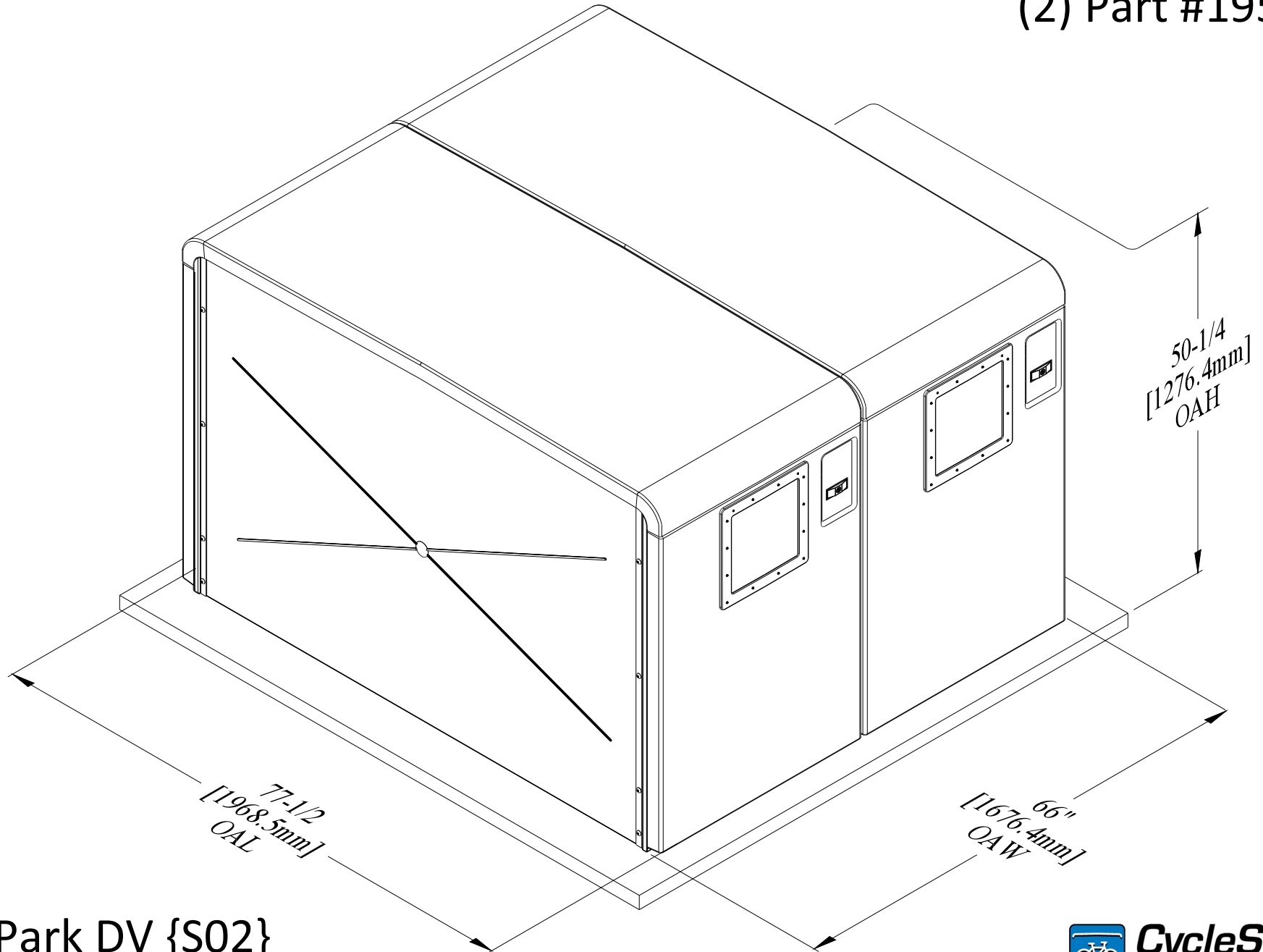


Part #19503



EcoPark DV {S01}  
{1-Bike} Door-View Locker {Dims}

(2) Part #19503



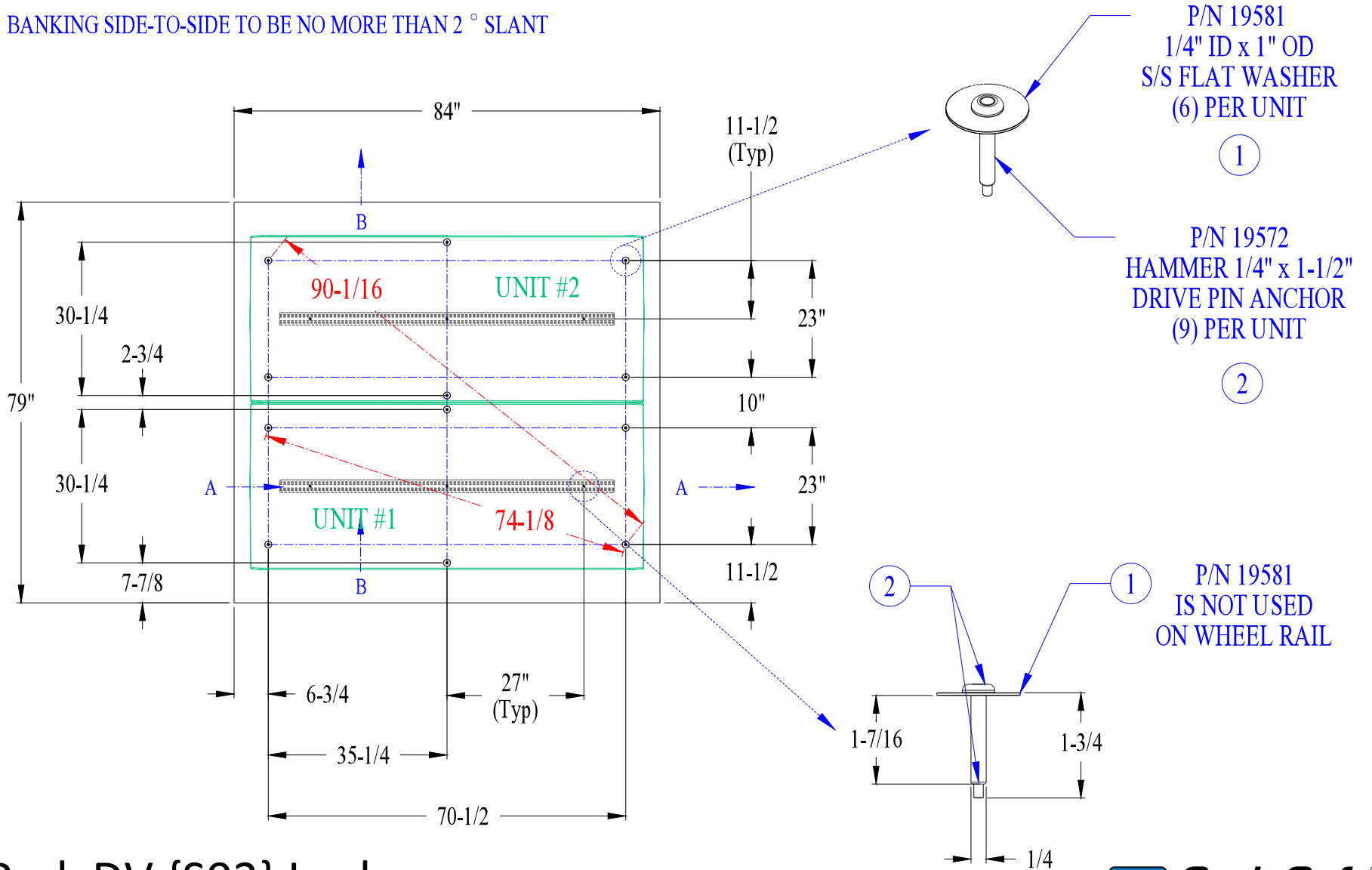
EcoPark DV {S02}  
{2-Bike} Door-View Locker {Dims}

NOTE:

INCLINE ANGLES

A. DOOR-TO-DOOR INCLINE TO BE NO MORE THAN 1 ° SLANT

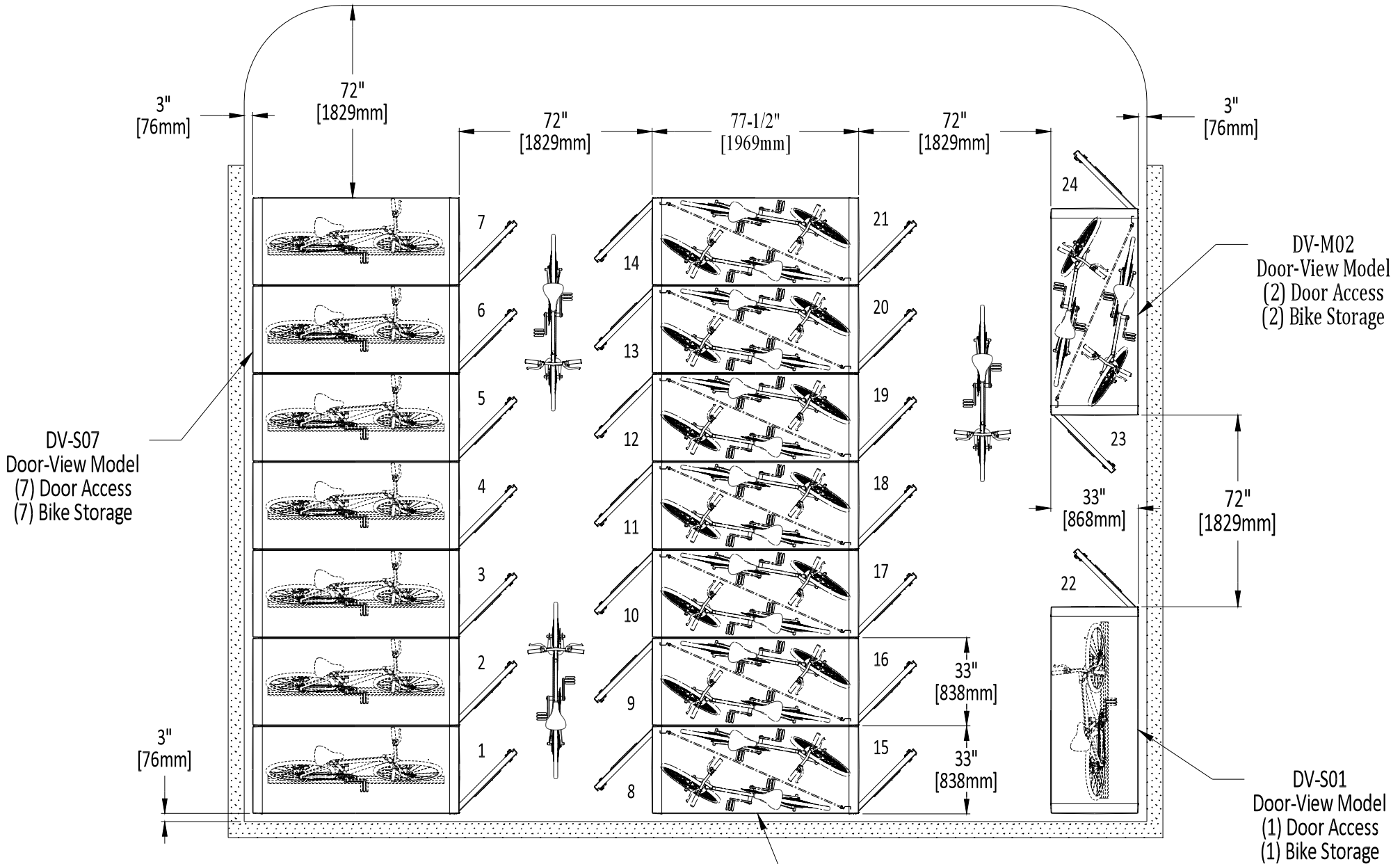
B. BANKING SIDE-TO-SIDE TO BE NO MORE THAN 2 ° SLANT



# EcoPark DV {S02} Lockers Anchor Placement Locations



www.cyclesafe.com



# CycleSafe {EcoPark} Lockers

## Locker Clearance & Capacities

DV-M14  
Door-View Model  
(14) Door Access  
(14) Bike Storage



www.cyclesafe.com